

DELTA AMATEUR RADIO CLUB

SPARKS

P.O. Box 750482 * Memphis, Tennessee 38175 -0482 * Volume 19 * March 2013



Welcome to the Delta Amateur Radio Club

Visit our home on the web at: <http://www.deltaclub.org>

W4BS

REPEATER SYSTEM

146.820 ^{-107.2}	147.360 ^{-107.2}
224.420	443.200

NEXT CLUB MEETING

DATE: March 12th, 2013 (2nd Tuesday of each month)
PLACE: Ellendale Church Of Christ, 7365 Highway 70
Memphis, TN (1 ½ miles north of Hwy. 64 – Stage Road)

TIME: 7:00 PM

PROGRAM: “Share Your Shack”
Presented by: Pat Lane W4OQG

VE TESTING: Don't forget the monthly Volunteer Examiner testing session. Registration begins at 5:30 PM and testing begins promptly at 6:00 PM. Please remember to bring two (2) forms of identification and copies of any existing licenses or CSCE's you might have. Please be on time for registration, as you will not be allowed to enter the testing session after 6:00 PM. This is to allow our volunteer VE team to finish in time to attend the club meeting. For more VE testing information, please contact:

Bill Stevens, WC9S, VEC
Phone: 901-603-3448
Email: wc9s@att.net

Congratulations to the following who tested with Delta Club's VE Team on February 12th:

William Lloyd Tech KF5TWK	Chris McGath Tech KF5TWL
Kenneth Royer KK4NHD General	Geoff Wilson KI4TLE General
Clay Sanders W5XTX Extra	

Congratulations to the following who tested with Extra Class 1 -13 on February 23rd:

Ed Arndt KV4LF (was KK4FGA)	Harry LaVoice KV4LD (was KK4GQN)
Tom Ernst N4LIA	Doug Maki N2FTV
Geoff Wilson KV4LE (was KI4TLE).	

PRESIDENT'S CORNER

By: Rosalinda Melena WN2V

Spring Cleaning, Ham Radio Style

Happy March to all. Spring is finally here and what does that mean? Why, spring cleaning, of course. Around my house, spring cleaning is two -fold; general cleaning (boring but necessary) and "ham" cleaning.

General cleaning is the typical; dusting, mopping, putting away and airing out (told you...boring). Ham cleaning consists of cleaning up the shack, putting away all the tools left out during the winter months, finishing up winter projects (as if that is ever possible...) and planning.

We (W5VAA and I) have been making plans for our first "tower climb" of the year. We have a 40M double-bazooka that we can't wait to get up in the air. I'll be installing a bracket on the tower to use as a "tie-off point" for the antenna. Additionally, "Santa" brought me a weather station for Christmas, so I'll be installing the outdoor components on the tower as well. An experienced climber wouldn't take more than an hour or so to complete this job. By no means can I be considered an "experienced climber" but I have learned a few important points; 1. climb safe and 2. take your time, the ground crew is working for you when you're on the tower.

Well, wish me luck and have fun with your spring cleaning.

As always, take care and be safe. 73!

Rosalinda Melena / WN2V

DARC President

F.Y.I., In case you didn't catch it, Steve (formerly KI4YOP) got a new call sign, W5VAA.

TOUR de CURE - VOLUNTEERS NEEDED

By: Denise Ganuchau KJ5DG

Please enter April 27th as the date for this year's Tour de Cure event. We would like to have at least 15 operators to volunteer for the event. I will coordinate and Pat Lane will act as net control.

Please note that, as with every year, this volunteer event competes with Linda's March of Dimes "March for the Babies", so we may be again stretched for operators.

Any help getting the word out would be most appreciated. Pat will have a sign up list at the upcoming meeting should I not be there because of medical reasons.

Thanks again,

-88-

Denise

Thanks again for all you do for us.....it is appreciated!

MARCH OF DIMES - VOLUNTEERS NEEDED

By: Linda Laseter KJ4CTX

I need sixteen more volunteers to cover all of the ham radio positions for the March of Dimes Walk for Babies event at Shelby Farms on Saturday, April 27, 2013.

The March for Babies is the March of Dimes biggest fundraiser and one of America's favorite walking events. Money raised by the walk supports the March of Dimes mission to give every baby a healthy start in life. It is used to fund all-important research offering preventions and solutions for babies born too soon or with birth defects, and educate women on things they can do to increase their chances of having a healthy baby.

Please join us to support those who are walking for a good cause and to support the babies. It is a great experience, a fun day in the park, and they feed you too!

If you can volunteer, please contact me at (901) 268 -1766, or e-mail llaseter@laseterinc.com, or see me at the Delta Club meeting Tuesday, March 12, 2013.

TREASURER'S REPORT

Submitted By: Rick Tillman WA4NVM

Beginning Balance	as of February 1, 2013	\$10,709.28
--------------------------	-------------------------------	--------------------

Expenses

TN Sec of State	Annual Report	\$20.00
David Gilbert	Meeting Treats	\$9.04

Total Expense	\$29.04
----------------------	----------------

SubTotal **\$10,680.24**

Income

Membership Dues	Year 2013	\$440.00
Tickets	November Drawing	\$125.00
Donations		\$27.00
Club Patch		\$5.00

Total Income	\$597.00
---------------------	-----------------

Ending Balance	as of February 28, 2013	\$11,277.24
-----------------------	--------------------------------	--------------------

Submitted by Rick Tillman WA4NVM

BOARD MEETING MINUTES

February 5, 2013 - Presented by: Tom Raggett KJ4LMH Secretary

1. Present: Steve Smith, Richard Martin, Rick Tillman, Joe Lowenthal, Bill Stevens, David Campbell, David Gilbert, Rosalinda Melena, Tom Raggett.
2. Rick Tillman presented Treasurer's report and was approved by the Board to be presented to the General meeting February 12.
3. Tom Raggett was requested to add email address to the sign in sheets.
4. There was a discussion about a token to give to the people who renewed their membership. A lapel pin and an ID card lanyard were discussed along with the price of each. The decision was for the lanyard and Rosalinda would research the price. The board agreed that this could be cost prohibitive. It was also discussed that there would be minor changes to the annual renewal ID card.
5. Program this month is by Joe Lowenthal, "Inside ARRL".
6. New Technician training class started February 11, 2013. Extra Class is proceeding with 10 people and was 50% done as of meeting time.
7. Meeting adjourned

Any changes to these minutes should be forwarded to Tom Raggett at KJ4LMH@ARRL.net

GENERAL CLUB MEETING MINUTES

February 12, 2013 - Presented by: Tom Raggett KJ4LMH

1. President Rosalinda Melena welcomed everyone to the meeting of the DARC and proceeded with introductions.
2. January minutes were approved. Ham Hilliard made the motion and Larry McMillan second.
3. Treasurer's report was presented and approved. Ham Hilliard made the motion and Bill Covington second.
4. Training report—Technician class started on February 11, 2013 for 18 students. SKYWARN training is scheduled for 6:30—8:30 on March 26th. Location to be announced.
5. Testing report—1 new General(passed Tech and General) and 3 new Extras.
6. 2013 Budget—Discussion was held regarding the 2013 budget. Ham Hilliard made motion to accept the budget as presented with Hugh Wardlaw second. The club approved the budget as presented.
7. Announcements—Diabetes Run for the Cure will be held on April 27th. There is a need for 15 operators to staff the communications.

Dick Shaw-NF4H has donated a lot of "STUFF" to the club. No prices on each item but the DARC asks for a donation when you take any item. Good fund raiser for the club.

8. Program—Joe Lowenthal presented a program on "The ARRL and its Function".
9. March DARC Board meeting at Stevie B's Pizza in Bartlett on March 5, 2013.
10. Meeting adjourned. Bill Covington made motion to adjourn, Ham Hilliard second.

Submit any additions or corrections to Tom Raggett at KJ4LMH@arrl.net

AMATEUR PACKET UPDATE

By: James Butler - KB4LJV

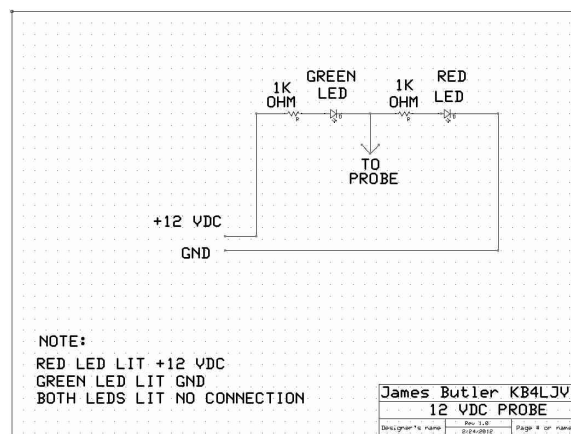
When we work emergency or portable operations we always need power. Batteries and solar work well, but the standard is portable generators when the main power is out. These are units that have a gas motor driving a generator that produces 115 VAC, 220 VAC, or 12 VDC that we need for powering our equipment. Harbor Freight has come out with a new line of portable gas generators called Predator Generators. These start out on sale at about \$330 dollars and have a maximum watt rating of 4000. They also have bigger versions of the generators if you need them. Their smallest version is 900 Watts using a 2-stroke engine and cost only \$89.00 on sale. If you are in the market for a portable generator check out this line from Harbor Freight. The website is <http://www.harborfreight.com/>

AMATEUR HARDWARE UPDATE

By: James Butler - KB4LJV

Many times we need to test low voltage wiring in our equipment and automobile that we have installed radio equipment in. One nice accessory to have is a 12 VDC logic probe to use to test with. This makes testing of wiring and wiring connections a lot faster. These are available in commercial versions for \$15.00 to \$20.00 but we can make our own a lot cheaper. The unit consists of two LEDs and two resistors mounted in a ball point pen housing. Two leads are used to supply 12 VDC to the unit. The LEDs are wired so that both LEDs glow dimly when the probe is not connected to +12 or ground. When the probe is connected to 12 VDC the red LED lights up brightly and the green LED goes out.

When the probe is hooked to a good ground connection the green LED lights up brightly and the red LED goes out. This tester works well and makes troubleshooting 12 volt wiring a lot easier.



2013 TRAINING CLASSES

Submitted by: Joe Lowenthal WA4OVO, Director of Training

There is no charge for classes, but the student is responsible for the purchase of the license manual and the \$15 ARRL FCC examination fee.

Licenses Earned in 2013 from Delta Classes

0 Technician

0 General

5 Extra

CLASSES IN PROGRESS

Tech Class 2-13 – February 11 – March 18, 2013

Tech Class 2-13 is being held on 6 Monday nights from 6:15-9:30pm from February 11th to March 18th at Lord of Life Lutheran Church, 6865 Poplar Pike.

Eighteen students attended the first night, but now there are now 19 in the class. Joe Lowenthal WA4OVO and Pat Lane W4OQG are the instructors. Bill Stevens WC9S, Rick Tillman WA4NVM, Richard Martin K4DXF, and Harry LaVoice KV4LD (was KK4GQN) are the Elmers.



Tech Class 2-13 Photo by Joe Lowenthal WA4OVO

CLASSES PLANNED

General Class 3-13 – April 1 – May 6, 2013

A General Class is being organized for 6 Monday nights at 6:15 -9:30pm from April 1st through May 6th at Lord of Life Lutheran Church, 6865 Poplar Pike. A survey was sent to many Techs who have attended classes asking about preference of day of the week, either Monday nights or Saturday day, and location of either Lord of Life Lutheran Church or a location on Ap pling Farms between Whitten and Appling. The majority opted for Monday nights and LOL.

If you are interested in the class or know someone who is, send an email to wa4ovo@arrl.net with subject line General Class and the name, email address and cell phone number.

CLASS INFORMATION

Technician Class

If you are interested in the first amateur license class, Technician, please let us know by sending an email to wa4ovo@arrl.net with subject line "Technician Class" and give name, email address, and a contact phone number (preferably a cell number). Or you can go to the Delta Club webpage www.deltaclub.org click on Training Classes; then click on Technician Class to send an email, or call at 901-683-2701. We usually publish class schedules a month or two in advance. You will be notified by email or phone when the class is set if you send an email informing us of your desire to be in a class.

There is no charge for the class, but registration is required. Advanced study of *The ARRL Ham Radio License Manual*, product #0977/ISBN 978-0-87259-097-7 (red-brick colored cover) is strongly suggested as well as study of the 396 questions and answer Technical Class License question pool. Barnes & Noble Booksellers may have this manual. You can purchase it online from www.msars.com, www.arrl.org/catalog or on Amazon.com. The list price is \$29.95 (which includes a CD). The older ARRL Ham Radio License Manual, Second Edition was priced at \$24.95, but did not have a CD.

The current Technician License question pool, which was approved by the NCVEC on February 1, 2010, can be seen at <http://www.ncvec.org/page.php?id=356>. Testing for this question pool started July 1, 2010.

Practice tests are highly recommended. The www.qrz.com website is free. To access the sample tests, go to www.qrz.com. From the QRZ home page click on **RESOURCES** in the blue band on the top right. Then click on 2010 Technician Exam Practice Test. When you start answering the questions, it will show you if

you answered correctly or not with **CORRECT!** or **SORRY BUT THAT ANSWER IS NOT CORRECT.** Statistics are kept below the test question at **This Quiz** with the number of questions answered correctly and the percentage correct. Also shown is the number of questions answered correctly from the 396 questions of the question pool. It keeps track of your correct answers on subsequent tests. Below the **This Quiz** line is **Questions in This Test**, that is a list of the 35 question numbers of the current test. If answered correctly, the question number radio button turns green. If answered incorrectly, it turns red.

There are a number of other free sample -test sites. The following are some other ham radio practice exam sites:

- www.aa9pw.com
- <http://kb0mga.net/exams>
- <http://copaseticflow.blogspot.com/2010/06/technician-class-practice-test-gadget.html>
- www.qrz.com
- <http://www.hamradioclass.org>

The 35-question FCC exam will be given at the end of class by a Volunteer Examiner (VE) team. There is a \$15.00 ARRL VEC FCC exam fee.

General Class

If you are interested in a General License Class, please let us know by sending an email to wa4ovo@arrl.net with subject line "General Class." Or you can go to the Delta Club web page www.deltaclub.org; click on Training Classes; then click on General Class to send me an email with name, email address and contact phone, preferably cell number, or call at 901-683-2701. A new question pool became effective July 1, 2011. The new textbook is *The ARRL General Class License Manual, Seventh Edition, item #8119, ISBN 978-0-87259-811-9*. This edition with its question pool is valid through June 30, 2015. Lately, we have been running a combined Technician-General class. You will be notified by email or phone when the class is set.

Basic Electronics Class

The Basic Electronics Class is designed to bridge the electronics -learning gap between the General and the Extra Class licenses. The class textbook is ARRL's *Understanding Basic Electronics, Second Edition*. The suggested calculator is the Casio fx -260 solar calculator, which can be purchased at Wal-Mart for about \$10. There is no exam for this class. The class has been held in the September -November time frame.

If you are interested in the Basic Electronics Class, please let us know by sending an email with name, email address and contact phone, preferably cell number to wa4ovo@arrl.net with subject line "Basic Electronics Class" or call at 901-683-2701. You will be notified by email or phone when the class is set.

Extra Class

If you are interested in an Extra Class, please pre-register by going to the Delta Club web page www.deltaclub.org; click on Training Classes; then click on Extra Class to send an email with name, email address and contact phone, preferably cell number to Joe Lowenthal, WA4OVO, at wa4ovo@arrl.net or call at 901-683-2701. You will be notified by email or phone when the class is set. Classes have been held on Saturdays for 6 or 7 weeks in January and February.

COMPLETED CLASSES

Extra Class 1-13 – January 12 – February 23, 2013

Extra Class 1-13 was held on six Saturdays from January 12th to February 23rd from 9am to 1pm at Baptist Women's Hospital. Eight new students began the class with one retry and five earning their upgrade. Congratulations to Ed Arndt KV4LF (was KK4FGA), Harry LaVoice KV4LD (was KK4GQN), Tom Ernst N4LIA, Doug Maki N2FTV and Geoff Wilson KV4LE (was KI4TLE). Thanks to the Delta Club's VE Team of Bill Stevens WC9S, Joe Lowenthal WA4OVO, Jeff Krause AJ4GY, Ken Laseter KI4AOH, Roger Schlichter WR4R, Ray Turner AE0LE, and Linda Laseter KJ4CTX.



Extra Class 1-13 left to right 1st row: partial Geoff Wilson, Harry LaVoice, Ed Arndt, Doug Maki, Tom Ernst; 2nd row-Gene Adams taking their exam with VEs Roger Schlichter WR4R, Ken Laseter KI4AOH, Linda Laseter KJ4CTX, and Ray Turner AE0LE in rear. Photo by Joe Lowenthal WA4OVO

Extra Class 1-13 – January 12 – February 23, 2013

Troop 225 Merit Badge Class – February 9, 2013

SPARKS NEWSLETTER & DELTA CLUB INFORMATION

SPARKS is published monthly by the Delta Amateur Radio Club and emailed to club members. All information published in this newsletter is provided as a service. While every reasonable effort has been made to ensure accuracy, the Delta Amateur Radio Club nor its officers assume any liability resulting from errors or omissions. All correspondence may be mailed to:

Delta Amateur Radio Club
P.O. Box 342768
Memphis, Tennessee 38184-2768

2012 BOARD OF DIRECTORS

President:

Rosalinda Melena – WN2V
901-921-4474
wntwov@gmail.com

Vice-President:

Richard Martin – K4DXF
901-372-3722
k4dxmf@att.net

Secretary:

Tom Raggett – KJ4LMH
901-517-0492
kj4lmh@gmail.com

Treasurer:

Rick Tillman – WA4NVM
901-268-7047
wa4nvm@comcast.net

Director of Training:

Joe Lowenthal – WA4OVO
901-683-2701
wa4ovo@yahoo.com

Director of Publications:

Kenneth Laseter – KI4AOH
901-853-0400
kmlaseter@laseterinc.com

Director of Programs:

David Campbell – KD4NOQ
901-388-6166
kd4noq@arrl.net

Director of Meetings & Special Events:

David Gilbert – AJ4LV
aj4lv@hotmail.com

PUBLIC SERVICE EVENTS --- 2013

If you are a coordinator for any of these events, please review the listed information. If it is incorrect or changes need to be made, please provide me with the correct information. Please email corrections to me at kmlaseter@laseterinc.com.

DATE	EVENT	COORDINATOR	CONTACT INFO.
January 2013 20 th	Swamp Stompers.	Danny– KJ4FXZ	kj4fxz@arrl.net
February 2013 9 th	Boy Scout Merit Badge University.	Ken – KI4AOH	kmlaseter@laseterinc.com
April 2013 27 th	March for Babies (March of Dimes).	Linda – KJ4CTX	llaseter@laseterinc.com
27 th	Tour de Cure	Denise – KJ5DG	kj5dg.denise@gmail.com
May 2013 19 th	Memphis in May Triathlon.	Ned - KA4BLL	ka4bll@arrl.net
September 2013 7 th and 8 th	MS 150 Bike Ride	Darrell - KK4D	kk4d@xipline.com
December 2013 7 th	St. Jude Marathon	Roger – WR4R	wr4r@bellsouth.net
Unknown	Bartlett Christmas Parade	Dennis – KJ4BDU	dcvv3714@aol.com

MEMPHIS AREA VHF/UHF NETS

Net Name	Freq. MHz	Local Time	Day
Mid-South Barefooted Bullfrog net	146.535	7:30p	Daily
Delta Club Traffic and Information Net	146.820 - (107.2)	8:00p	Daily
Secret Service Net	224.780 -	8:30p	M
Elmer Net	147.030 + (107.2)	9:00p	M
The Short Winded Net	146.850 -	8:30p	Tu
MedMERS Net	146.730 - (107.2)	12:00p	W
Six Meter Tech Net	53.01 -	8:30p	W
The 440 Net	443.200 + (107.2)	9:00p	W
Collierville CERT Net	444.125 + (107.2)	7:00p	W
TAC 2 Net	224.420 -	8:30p	Th
ARES Training Net	146.880 - (107.2)	9:00p	Th

TENNESSEE HF NETS

Net Name	Freq. MHz	Local Time	Day
Tennessee CW Net	3.563	7:00p	Daily
Tennessee Slow CW Net	3.682	7:30p	T-Su
Tennessee Early Morn Phone Net	3.980	5:40a	M-F
Tennessee Morning Phone Net	3.980	6:45a	M-F
Tennessee Evening Phone Net	3.980	6:30p	T-Su
CUSEC (Center for United States Earthquake Consortium)	3.810	As needed	
CUSEC (Center for United States Earthquake Consortium)	7.180	As needed	

DELTA CLUB 146.82 NET PREAMBLE (Rev. 2)

GOOD EVENING: This is _____ calling this session of the DELTA CLUB'S TRAFFIC AND INFORMATION NET. This net is affiliated with the ARRL and the NTS and is organized to pass traffic in and out of the mid - south area, in addition to providing information about club events and amateur related topics. This net meet s nightly at 8:00 p.m. CT except the second Tuesday of the month on the 146.82 W4BS repeater and **requires** a pl. tone of 107.2 Hz. All stations will refrain from transmitting without being acknowledged by net control.

All licensed amateurs are encouraged to participate.

Before we begin, is there any station with emergency or priority traffic?

During this net should any station have emergency or priority traffic please use a double break followed by your call sign.

Is there an NTS Liaison station on fre quency?

Is there any station wishing to list formal written traffic?

Does any station have announcements for the net?

(If anyone asks to make an announcement after you finish handling the ones taken here ask them to hold until after the monolog. Eliminate the following sentence unless there are announcements.)

Does any station have any questions or need any fills?

We will now take check-ins. Are there any stations that are mobile, on battery power, or needing to leave early, if so please come now phonetically with your suffix only and please remember to spread them out?

We will now take check-ins phonetically by suffix only if your suffix begins ALPHA through HOTEL please come now and remember to spread them out.

We will now take check-ins phonetically by suffix only if your suffix begins INDIA through KEEBECK please come now and remember to spread them out.

We will now take check-ins phonetically by suffix only if your suffix begins ROMEO through ZULU please come now and remember to spread them out.

The DELTA CLUB meets the second Tuesday of each month at the ELLENDALE CHURCH OF CHRIST 7365 HWY 70 in Bartlett at 7:00 P.M. V. E. Registration begins at 5:30 P.M. with testing starting promptly at 6:00 P.M. A copy of your license and CSCE is required. F or V. E. Information contact Bill, WC9S at 603 -3448. For membership information contact Tom, KJ4LMH at 517-0492. For training information contact Joe WA4OVO at 683-2701.

Are there any additional announcements?

We will now take late check-ins from anywhere in the alphabet ALPHA through ZULU please come now and spread them out.

Is there anything that this station or the net can do for anyone before we close?

This is _____ now closing this session of the DELTA AMATEUR RADIO CLUB'S Traffic and info rmation net and would like to thank all _____ stations for checking in tonight. And would like to ask that everyone to check in tomorrow night at the same time.

GOODNIGHT AND 73: THE NET IS NOW CLOSED. _____ CLEAR

DELTA CLUB ADVERTISEMENTS

See Advertisement Order Form for Instructions.

DELTA AMATEUR RADIO CLUB

P.O. Box 342768
Memphis, TN 38134-2768

DARC Meeting: Second
Tuesday of every month
at Ellendale Church of Christ
7365 Hwy 70, Bartlett TN



W4BS REPEATER SYSTEM
146.82- 147.36+ (107.2Hz tone)
224.42- 443.20+ (107.2Hz tone)

Savage
T.ile
Company

Installers of
commercial & residential
ceramic, quarry, marble & slate tiles
(901) 363-9607 or Fax (901)365-1992
5579 Federal Avenue
Memphis, TN 38118-7918

Ned Savage

35 YEARS of EXPERIENCE

ADVERTISEMENT ORDER FORM



Delta Amateur Radio Club Sparks Advertising Order Form

Date: _____

Name: _____

Call Sign: _____ Phone: _____ Email: _____

TO PLACE AN ORDER

1. Mark the box below indicating the ad size you are purchasing and the three (3) months you want your ad to appear in Sparks.
2. Submit this completed order form, your camera ready ad, and your check payable to Delta Amateur Radio Club (DARC) to Kenneth Laseter KI4AOH via mail at 684 Oasis Cove, Cordova, TN 38018 or give it to him at the monthly Delta Club meeting. Camera ready means that the ad you submit is exactly as you want it to appear in your ad and fits within the dimensions specified below. Ads may be submitted in gif or jpg format or submitted as a hard copy and we will scan and place your ad for you.
3. Your ad order must be received on or before the first Tuesday of the **month before** you want it to appear in Sparks.

SPARKS ADVERTISING

FULL PAGE \$50.00 for 3 Months 7" w X 8 1/2" h <input type="checkbox"/>			HALF PAGE \$25.00 for 3 Months 7" w X 4" h <input type="checkbox"/>			1/4 PAGE \$15.00 for 3 Months 3 1/2" w X 4" h <input type="checkbox"/>			BUSINESS CARD \$10.00 for 3 Months 3 1/2" w X 2" h <input type="checkbox"/>		
Jan 2013	Feb 2013	Mar 2013	Apr 2013	May 2013	Jun 2013	Jul 2013	Aug 2013	Sept 2013	Oct 2013	Nov 2013	Dec 2013



DELTA AMATEUR RADIO CLUB
P.O. Box 3428, TN 38184-2 768
2013 MEMBERSHIP APPLICATION



Call sign _____ License Exp. Date ____ / ____ / ____ New Member ____ Renewal ____
License Class (Check One) ____ NOV ____ TECH ____ TECH + ____ GEN ____ ADV ____ EXTRA
Last Name _____ First Name _____ ARRL Member ____ Yes ____ No
Address _____ Birthday Month ____ Day ____
City _____ State _____ Zip+4 _____ + ____
Area Code _____ Home Phone _____ Email _____

This membership current through December 2013

This membership current through December 2013

Club dues:	INDIVIDUAL MEMBERSHIP (\$30.00)*	\$ _____
	FOR FAMILY MEMBERSHIP ADD (\$5.00)	\$ _____
	DONATION	\$ _____
	TOTAL	\$ _____

* Individual dues will be **pro-rated** quarterly for **new members only** (NOT RENEWALS), as follows: January to March – 100% (\$30.00), April to June – 75% (\$22.50), July to September – 50% (\$15.00), October to December – 25% (\$7.50).

Family membership is five dollars in addition to the individual membership fee, which includes any immediate licensed or unlicensed family members living in your home who desire to be Delta Club members.

Please provide family member information below **ONLY** if you are applying for a family membership.

Name (First, Middle, Last)	Call sign (if licensed)	Lic. Class	Lic. Exp. Date	Birthdate: (Mo/Day)
1. _____	_____	_____	_____	_____
2. _____	_____	_____	_____	_____
3. _____	_____	_____	_____	_____
4. _____	_____	_____	_____	_____
5. _____	_____	_____	_____	_____

CLUB USE ONLY, PLEASE DO NOT WRITE BELOW THIS LINE

____ CASH ____ CHECK # _____ AMOUNT _____ RECEIVED BY: _____
PROCESSED BY SECRETARY _____ DATE _____
PROCESSED BY TREASURER _____ DATE _____
PROCESSED BY DISTRIBUTION _____ DATE _____