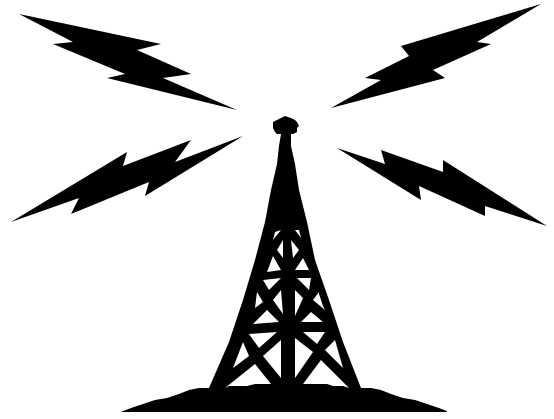


SPARKS DELTA CLUB

The DELTA club meets the 2nd Tuesday of each month. This month's meeting will be December 9th at 7:00pm at the Ellendale Church of Christ, 7365 Highway 70, Bartlett, TN. This month's program we will be celebrating the holidays with a potluck meal and plenty of good fellowship. This month's door prize will be a 2m mobile radio.



VOL.18 December 2003

President's Corner

First, I would like to apologize for the absence of the newsletter for the last 5 months. With the election of the new board the incoming Director of Publications has promised to have the Sparks back in regular production.

Next, I would like to thank this year's board and the membership for their support of the club and it's many activities. This has been a great year and I look forward to working with next year's board to keep the Delta Club a top notch organization.

Congratulations to all of our prize winners at last month's meeting. A good time was had by all. The grand prize (Icom IC-706MkIIG) was awarded to Jim Olberding, WD8JAO.

Please remember to complete the enclosed 2004 Membership Renewal and send it in as soon as possible. We will also be taking them at the next meeting.

I look forward to seeing everyone at the meeting December 9th.

73.

Randy, W4RMV

VE TESTING: Don't forget the monthly Volunteer Examiner testing session. Registration begins at 5:30pm, and testing begins promptly at 6:00pm. Please remember to bring 2 forms of ID and copies of any existing licenses or CSCE's you might have. Please be on time for registration, as you will not be allowed to enter the testing session after 6:00pm. This to allow for Volunteer VE team to finish in time to attend the club meeting. For more VE testing information contact:

Joan Thorne, KN4PM, VEC
Phone: 901 737-5795
EMAIL: JOANT@MEM.NET



AMATEUR HARDWARE UPDATE

I have finished building up a PIXIE2 Transceiver for 40 meters. The unit puts out about 150 milliwatts and has about 42 DB gain on receive. The frequency is fixed at 7.040 MHZ, the QRP calling frequency. The only modification to this \$10.00 radio was to add audio for the sidetone. I had to put the unit in a case so I used a small computer printer switcher box. These are available surplus and are cheaper to buy and strip than trying to buy an empty case to put the unit in. I mounted the board and hooked up all the connections for the unit. The case was painted a two tone Heathkit green by using Krylon LITE SAIGE GREEN and a darker green for a case top. The finished units looks like the older Heathkits from the 60s. The unit has been fun to play with and has given me a little practice using the surplus printer switches for cases. I have ordered some more cases for future projects. I will have the "HEATHKIT P3" at the meeting to show and will answer questions for those who wish to build up their own units.

SEE YOU AT THE MEETING

James Butler, KB4LJV



DARC 2003 Board of Directors President

Randy VanVoorhis, W4RMV
w4rmv@arrr.net
901-384-0487

Vice President

Ned Savage, KA4BLL
ka4bll@arrr.net
901-682-8716

Secretary

Damien Covington, KG4NBM
kg4nbm@arrr.net
901-381-4849

Treasurer

Frank Dowell, KA4SJM
ka4sjm@arrr.net
901-382-5279

Director of Training

Ed Norris, KD5IEI
kd5iei@arrr.net
662-895-3921

Director Of Publications

David Pace
ku4as@bellsouth.net

Director of Programs

James Butler, KB4LJV
jbutler@slimfast.com
901-294-2540

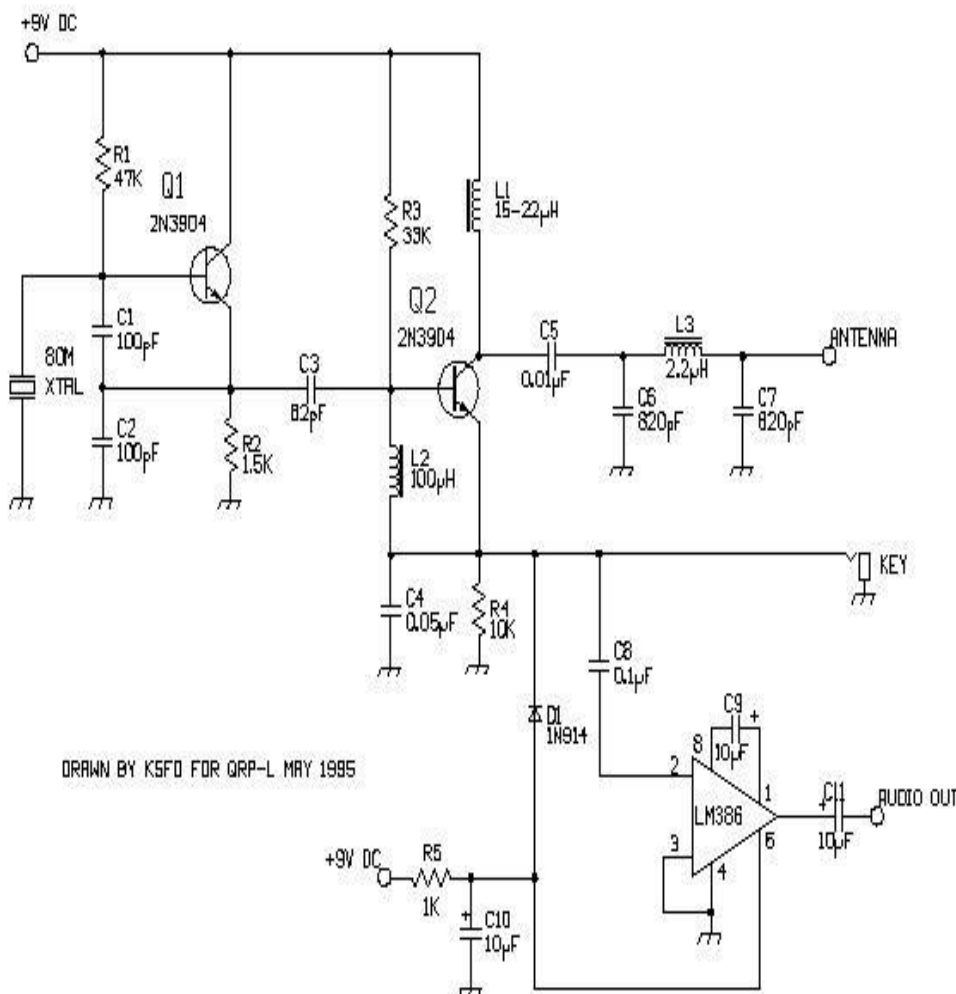
Director of Meetings

Barry Anderson, WA4MFF
wa4mff@arrr.net
901-725-0924

Past President

Lance Morris N4GMT
lmorris1@midsouth.rr.com
901-371-9342

PIXIE 2



THE W4BS ELMER SHACK

Please feel free to contact any of our ELMERS to help you enhance your amateur skills. Anyone wishing to be added to the Elmer list please contact Randy at w4rmv@markseven.com or 901-384-0487.

K4TTA (Extra) Tom Richardson 901-386-6268
k4tta@arrl.net (1,3,4,6,8,9,13,14)

KA4BLL (Extra) Ned Savage 901-363-9607
ka4bll@arrl.net (1,5,8,14, MARS, ARES/RACES, net control, traffic handling, emergency service)

KB4LJV (Extra) James Butler 901-294-2540
(2,7,9,11,13,14)

KD4NOQ (Adv) David Campbell 901-388-6166
kd4noq@bellsouth.net (1,2,3,5,9,10,12,14, slow scan TV, ATV minor)

KU4AW (Extra) Ben Troughton 901-372-8031
bktrough@mem.quik.com (2,4,8)

N9ACQ (Extra) Bill Kuechler 901-368-0532
wkuechl1@midsouth.rr.com (1,8,13)

WA2IQC(Extra) Gary Blinckmann 901-794-5289
garyblin@midsouth.rr.com (1,7,10,14)

WA4MJM (Extra) Bill Hancock 901-853-7192
billwa4mjm@aol.com (1,2,8, emergency communications, ARES,MARS)

K4DIT (Extra) Ken Gregg 901-853-7384
k4dit@arrl.net (4,6,8,11)

W4GMM (Extra) Ham Hilliard 901-372-2337
hamh@bellsouth.net (All categories)

Codes:

1. Antennas
2. APRS
3. Contesting
4. CW Operating
5. Direction Finding
6. DXing
7. Exp./Circuits/etc.
8. HF Phone
9. Packet
10. Repeater Oper.
11. QRP
12. Satellite
13. RTTY
14. VHF



SPARKS is published monthly by the DARC, and is mailed to club members and other interested parties. All information published in this newsletter is provided as a service. While every effort is made to ensure accuracy, DARC and its officers assume no liability resulting from errors or omissions..

Vice President's Corner

I need all members who have, or know where club equipment is located, to make a list of the item, location of the item, condition of the item, if known, and who might have the item or items.

I do know where the Tower Trailer is, and where the "FEDEX TRASH DISHES" which the club picked up in the '90s are, and I do know who has knowledge of the whereabouts of the tower J-pole and the club's generator.

I would like this information either sent to me via e-mail at KA4BLL@arrl.net or given to me at the next meeting.

Thank You,
Ned Savage, KA4BLL

2004 Board of Directors

President	Ned Savage, KA4BLL
Vice-President	Bill Covington, KC4SXT
Secretary	Tommy Thompson, KD4TJO
Treasurer	Bill Torkell, KG4VAW
Dir of Training	Ed Norris, KD5IEI
Dir of Publications	Roger Paulson, K4KCU
Dir of Programs	James Butler, KB4LJV
Dir of Meetings	Thomas McLemore, KG4EOV
Past President	Randy VanVoorhis, W4RMV
Trustee	Gary Blinckmann, WA2IQC

The Delta Club board meets at 7pm the first Tuesday of each month at Bartlett United Methodist Church, 5676 Stage Road, Bartlett, TN. We meet in the lounge of the gym building (just inside the gym doors). All members are welcome and encouraged to attend.



DELTA AMATEUR RADIO CLUB
P.O. Box 750482
MEMPHIS, TN 38175-0482

POSTMASTER, send address changes to DARC,
P.O. Box 750482, Memphis, TN 38175-0482

CLUB MEETING on Tuesday December 9 at
Ellendale Church of Christ

***** Date sensitive material. Please deliver promptly *****

Please deliver ON or BEFORE DECEMBER 9, 2003



W4BS
REPEATER
SYSTEM

146.82- net 8:00 pm
147.36+ tone 107.2
224.42- 1.25m repeater
443.20+ patch 107.2